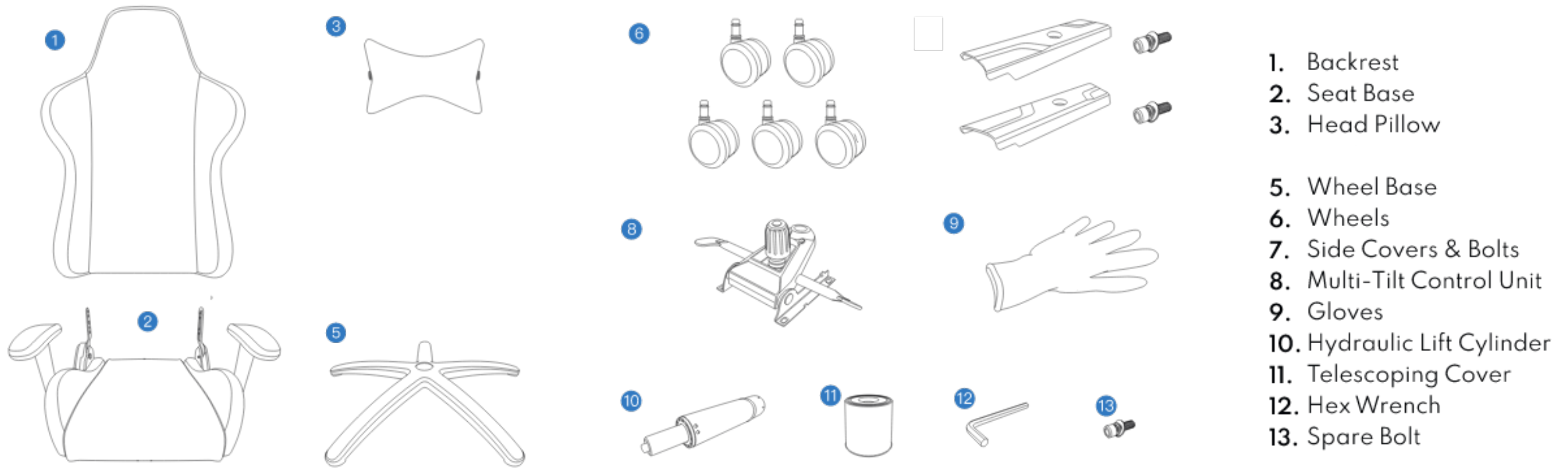


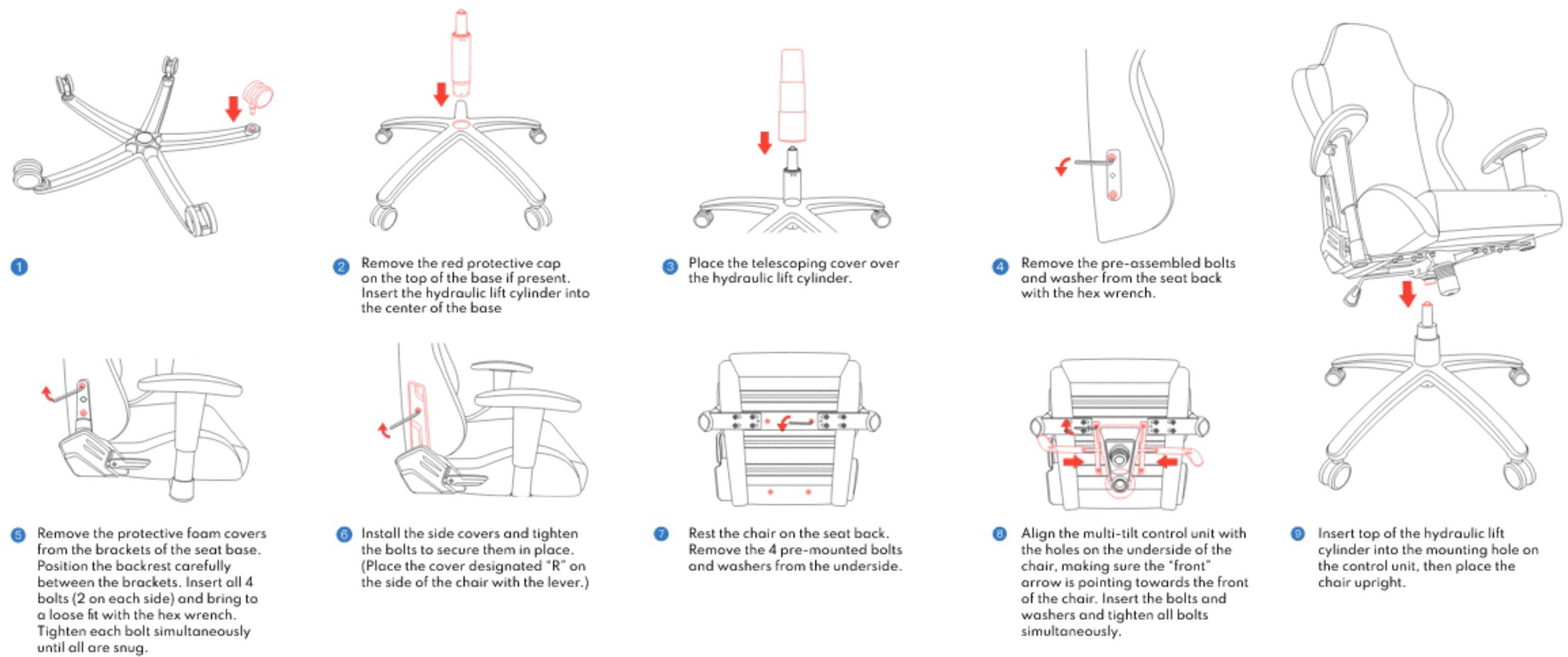
DUELHAWK



1. Backrest
2. Seat Base
3. Head Pillow
4. Multi-Tilt Control Unit
5. Wheel Base
6. Wheels
7. Side Covers & Bolts
8. Multi-Tilt Control Unit
9. Gloves
10. Hydraulic Lift Cylinder
11. Telescoping Cover
12. Hex Wrench
13. Spare Bolt

Assembly Instructions

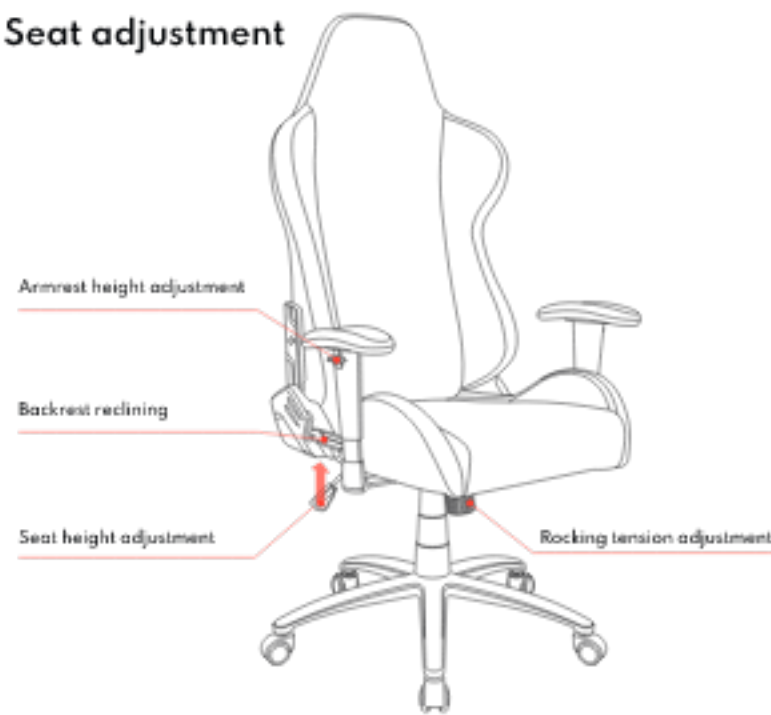
Please use gloves for assembly.



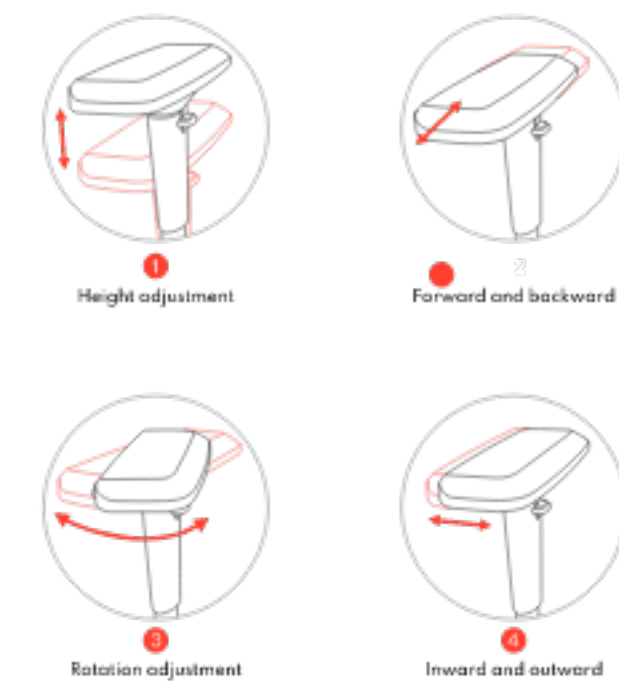
Adjustable Functions

For illustration only. Functions may vary.

Seat adjustment



Armrest adjustment



Important Safety Information

Recommended weight load should not exceed 350lbs (158kg). The chair should only be used for normal seating. Do not use the chair in any potentially dangerous positions. Please exercise caution when using the maximum reclining and tilt position to avoid any injuries.

- DO NOT** have more than one person on the seat.
- DO NOT** sit on the edge of the seat.
- DO NOT** stand on the seat.
- DO NOT** play with the reclining mechanism
- DO NOT** exceed reclining limits.

Tilt and lock lever is located on the opposite side of the chair. Twist lever down to lock at desired angle. Twist lever up and lean back to disengage the tilt lock.